

# Parts List

## 8107.300 Maxi Lite





---

# Table of Contents

<b>1 Introduction.....</b>	<b>2</b>
1.1 Specially approved products.....	2
<b>2 Product Description.....</b>	<b>3</b>
2.1 Products included.....	3
2.2 The data plate.....	3
<b>3 Exploded View.....</b>	<b>4</b>
3.1 8107.300.....	4
<b>4 Spare Parts.....</b>	<b>5</b>
4.1 8107.300.....	5

# 1 Introduction

## **Purpose of this manual**

The purpose of this manual is to provide necessary information on spare parts and accessories order.

## **Disclaimer**

Always use genuine Grindex parts. The use of other spare parts or accessories can invalidate any claims for warranty or compensation. Grindex does not take any responsibility for damages that are caused by the use of non-original parts. For more information, contact your local sales and service representative.

## **Data for ordering spare parts**

The following information is needed for spare part orders:

- Serial number of the product
- Part number
- Quantity of bulk material, see \* in tables

## **1.1 Specially approved products**

### **Qualification of personnel**

Only Grindex or Grindex-authorized service personnel may undertake repair work on Ex-approved products.

### **Dimensional accuracy inspection**

Spare parts marked with (Ex) after the part number are subject to dimensional accuracy inspection when used in specially approved products.

## 2 Product Description

### 2.1 Products included

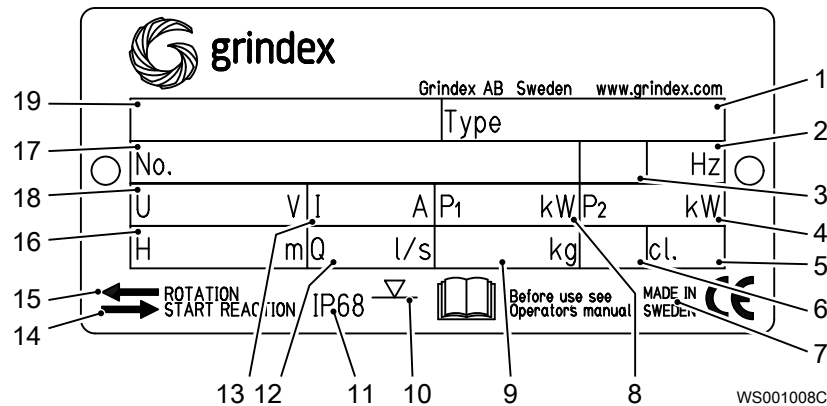
Pump model	Standard	EX	MSHA	Drainage	Sludge
Maxi Lite 8107.300	X			X	

### 2.2 The data plate

#### Introduction

The data plate is a metal label located on the main body of the pump. The data plate lists key product specifications.

#### The data plate



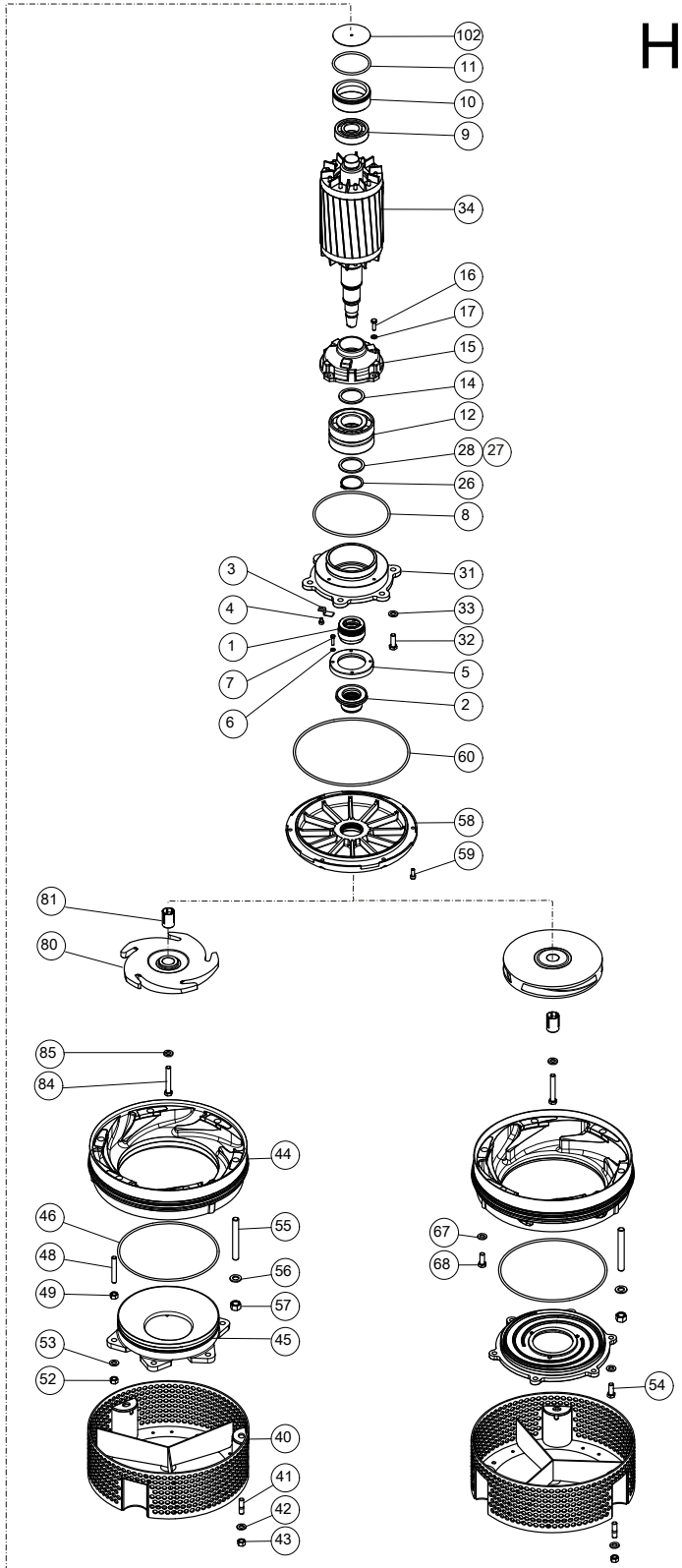
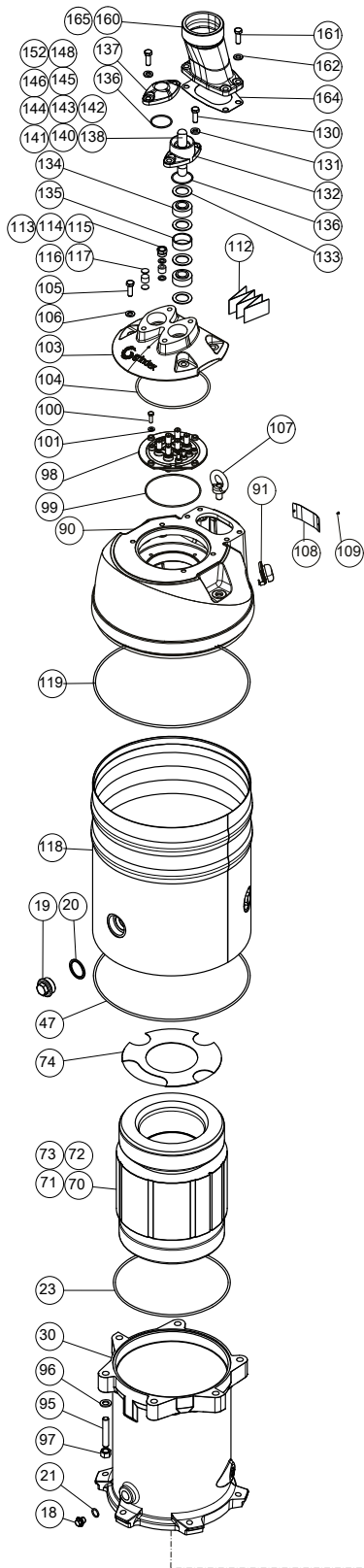
1. Pump type number
2. Frequency
3. Phases, type of current
4. Rated shaft power
5. Thermal class
6. Locked rotor code-letter
7. Country of origin
8. Maximum power consumption
9. Product weight
10. Maximum submersion depth
11. Degree of protection
12. Maximum capacity
13. Rated current
14. Direction of the start reaction
15. Direction of the impeller rotation
16. Maximum head
17. Serial number

The first two characters describe the production year.

18. Rated voltage
19. Pump model

# 3 Exploded View

## 3.1 8107.300



20244B\_8107.011\_8107.300\_H\_expl\_view

# 4 Spare Parts

## 4.1 8107.300

Pos. No	Part. No	Denomination	Qty/Version
			300
1	132 382	Mechanical seal	1
2	51 896 52	Mechanical seal	1
3	50 790 00	Lock washer	1
4	50 020 08	Hexagon head screw M6X8-A2-70	1
5	133 291	Connection flange	1
6	410 013	Plain washer 6-A4-170	4
7	410 001	Hexagon head screw M6X25-A4-70	4
8	132 380	O-ring 194.3X5.7 NBR	1
9	132 358	Ball bearing 40X90X23	1
10	132 357	Bearing guide	1
11	132 355	O-ring 89.1X5.7 NBR	1
12	132 406	Ball bearing 55X120X29	2
13	410 495	Grease	*
14	132 373	Supporting washer 55X68X3	1
15	132 376	Bearing cover	1
16	130 642	Hexagon head screw M8X25-A2-70	4
17	132 289	Plain washer 8-A2-170	4
18	133 063	Inspection screw BRASS	3
19	410 486	Plug	3
20	50 584 00	Seal washer 57.15X45.34X3.25	3
21	133 064	O-ring 19.2X3 NBR	3
22	410 053	Oil ISO VG 32	5
23	132 356	O-ring 299.3X5.7 NBR	1
26	132 381	Retaining ring SGA 55	1
27	132 375	Washer 0.2 MM	2
28	132 373	Supporting washer 55X68X3	1
30	51 895 00	Stator housing	1
31	50 791 00	Bearing housing	1
32	410 197	Hexagon head screw M12X35-A2-70	6

Pos. No	Part. No	Denomination	Qty/Version
			300
33	132 274	Plain washer 12-A2-170	6
34	51 894 00	Shaft unit	1
40	51 875 00	Strainer compl.	1
41	132 279	Stud M12X30-A2-70	3
42	132 274	Plain washer 12-A2-170	3
43	132 280	Hexagon nut M12-A2-70	3
44	51 879 00	Diffuser coat.	NBR Closed
44	51 879 01	Diffuser coat.	PU Closed
44	51 920 00	Diffuser coat.	NBR open
44	51 920 04	Diffuser coat.	PU open
45	51 889 00	Suction cover	Hard Iron Closed
45	132 416	Suction cover	NBR open
45	132416PU	Suction cover	PU open
46	410 240	O-ring 269.3X5.7 NBR	Closed
46	132 415	O-ring 259.3X5.7 NBR	Open
47	132 411	O-ring 399.3X5.7 NBR	
48	132 442	Stud M12X80-A2-70	6
49	132 280	Hexagon nut M12-A2-70	6
52	132 280	Hexagon nut M12-A2-70	6
53	132 274	Plain washer 12-A2-170	6
54	132 407	Hexagon head screw M12X30-A2-70	6
55	50 024 02	Stud M16X110-A2-70	6
56	132 258	Plain washer 16-A2-A-170	6
57	132 256	Hexagon nut M16-A2-70	6
58	133 293	Oil housing coated	NBR
58	133293PU	Oil housing coated	PU
59	132 395	Hex.socket hd screw M8X20-A2-70	6
60	410 563	O-ring 289.3X5.7 NBR	1
67	132 274	Plain washer 12-A2-170	2
68	132 407	Hexagon head screw M12X30-A2-70	2
70	51 917 02	Stator 25-18-2a	6-leads 50 Hz 220V-230V D 380V-400V Y
70	51 917 11	Stator 25-18-2a	12-leads 60 Hz 440V-460V DSER 380V-400V Y// 12-leads 60 Hz 2-poles 220V-230V D//



Pos. No	Part. No	Denomination	Qty/Version
			300
70	51 917 01	Stator 25-18-2a 6-leads 50 Hz 380V-400V D 660V-690V Y 6-leads 60 Hz 440V-480V D 6-leads 50 Hz 415V-440V D	1
70	51 917 07	Stator 25-18-2a 6-leads 50 Hz 500V D 6-leads 60 Hz 575V-600V D	1
70	51 917 12	Stator 25-18-2a 6-leads 50 Hz 525V-550V D 1000V Y	1
71	50 221 00	End sleeve 0.75 MM2; L=6 MM	2
72	50 221 04	End sleeve 6 MM2; L=10 MM	6
72	50 221 03	End sleeve 4 MM2; L=10 MM	6
72	50 221 02	End sleeve 2.5 MM2; L=7 MM	6
73	132 354	Insulating hose D=20 MM	*
74	132 294	Protective disc	1
80	51 927 00	Impeller Closed 50Hz Hard-Iron code: 251	1
80	51 927 01	Impeller Closed 60Hz Hard-Iron code: 253	1
80	51 876 06	Impeller Open 50Hz Hard-Iron code: 259	1
80	51 349 07	Impeller Open 60Hz Hard-Iron code: 261	1
80	51 810 12	Impeller Open 50Hz Stainless steel code: 270	1
80	51 810 13	Impeller Open 60Hz Stainless steel code: 271	1
81	51 918 01	Sleeve unit	1
84	410 074	Hexagon head screw M12X80-A4-80	1
85	132 424	Plain washer 12-A2-170	1
90	51 880 01	Bearing housing	1
91	50 869 00	Air release valve	2
95	411 006	Stud M16X70-A2-70	6
96	132 258	Plain washer 16-A2-A-170	6
97	132 256	Hexagon nut M16-A2-70	6
98	133 119	Con.term.board unit	1
99	410 833	O-ring 139.5X3 NBR	1
100	130 642	Hexagon head screw M8X25-A2-70	4
101	132 289	Plain washer 8-A2-170	4

Pos. No	Part. No	Denomination	Qty/Version
			300
102	51 336 00	Plate	1
103	51 882 00	Cover	Auxiliary cable : No 1
103	51 882 01	Cover	Auxiliary cable : Yes 1
104	50 037 45	O-ring 184.3X5.7 NBR	1
105	410 197	Hexagon head screw M12X35-A2-70	4
106	132 274	Plain washer 12-A2-170	4
107	130 960	Lifting eye bolt M16	2
108	50 888 00	Plate-blank	1
109	410 000	Drive screw 4X5-A2/A4	2
110	51 919 00	Instruction plate	1
112	51 675 03	Connection plate	1
113	132 343	Gland screw	1
114	132 344	Plain washer 12.5X20.5X2- A2-70	2
115	132 345	Seal sleeve (10)-12 MM	1
116	132 455	Plate	2
117	132 454	Plug	1
118	51 877 00	Outer casing	1
119	132 411	O-ring 399.3X5.7 NBR	1
130	410 197	Hexagon head screw M12X35-A2-70	4
131	132 424	Plain washer 12-A2-170	4
132	51 033 04	Entrance flange	1-2
133	132 336	Plain washer (32)-34 MM	4-8
133	132 312	Plain washer (33)-35 MM	4-8
133	132 341	Plain washer (37)-39 MM	4
134	410 115	Seal sleeve (23)-26 MM	2-4
134	410 116	Seal sleeve (26)-29 MM	2-4
134	410 118	Seal sleeve (32)-35 MM	2-4
134	410 612	Seal sleeve (36)-38 MM	2
134	410 117	Seal sleeve (29)-32 MM	2
135	51 025 02	Sleeve	1-2
136	410 086	O-ring 49.5X3 NBR	2
137	51 892 00	Cover	1
138	410 126	Motor cable subcab 4G6+2X1,5	24 - 26mm Max 750V *
138	410 858	Motor cable subcab 7G6+S(2X0,5)	24 - 26mm Max 1000V *
138	410 852	Motor cable subcab 4G10+S(2X0,5)	24 - 26mm Max 1000V *

Pos. No	Part. No	Denomination	Qty/Version
			300
138	410 853	Motor cable subcab 4G16+S(2X0.5) 26 - 28mm Max 1000V	*
138	410 854	Motor cable subcab 4G25+S(2X0,5) 32 - 34mm Max 1000V	*
138	410 855	Motor cable subcab 4G35+S(2X0,5) 35 - 37mm Max 1000V	*
138	410 135	Motor cable 6AWG/3-2-1-GC 30 - 32mm Max 600V	*
138	410 136	Motor cable 4AWG/3-2-1-GC 32,80 - 34,80mm Max 600V	*
138	410 862	Motor cable subcab S3X10+3X10/3+S(4X0,5) 24 - 26mm Max 1000V	*
138	410 864	Motor cable subcab S3X25+3X16/3+S(4X0,5) 29 - 31mm Max 1000V	*
139	410 878	Cap 24X45 PVC	1-2
139	410 880	Cap 26X45 PVC	1-2
139	411 008	Cap 32X45 PVC	1-2
139	411 015	Cap 35X45 PVC	1
139	411 017	Cap 30X45 PVC	1
139	411 014	Cap 33X45 PVC	1
140	411 009	Hexagon head screw M8X16-A4-70	1-2
141	50 221 04	End sleeve 6 MM2; L=10 MM	6
141	50 221 05	End sleeve 10 MM2; L=12 MM	3-6
141	50 221 06	End sleeve 16 MM2; L=12 MM	3-6
141	50 221 07	End sleeve 25 MM2; L=15 MM	3-6
141	50 221 08	End sleeve 35 MM2; L=18 MM	3
141	411 045	Plain washer (16)-18 MM	3
142	50 221 01	End sleeve 1.5 MM2; L=7 MM	2
142	50 221 00	End sleeve 0.75 MM2; L=6 MM	2
142	50 221 04	End sleeve 6 MM2; L=10 MM	2
143	410 873	Cable lug UL/CSA 0.5-1.65 MM2	1-2
143	410 177	Cable lug INSUL.UL/CSA 2.62-6.64MM2	1
144	131 797	Cable lug D8, 4-6 MM2	1-2
144	131 137	Cable lug D8, 10 MM2	1-2

Pos. No	Part. No	Denomination	Qty/Version
			300
144	131 799	Cable lug D8 16 MM2	1-2
144	132 609	Cable lug D8 25 MM2	1-2
144	411 007	Cable lug D10, 35 MM2	1
145	410 917	Shrink hose ID=12 MM	*
146	410 918	Shrink hose ID=3.2 MM	*
147	410 122	Shrink hose ID=9.5 MM	*
148	410 881	Closed-end splice 0.33-0.82(AWG 22-18) L=18	2
149	51 438 00	Plate SENSOR CONNECTED T1-T2	2
151	410 875	Cap 6X16 PVC	1
151	410 876	Cap 7X16 PVC	1
152	50 020 20	Hexagon head screw M6X12-A4-70	1
160	51 930 01	Discharge connection      Hose 4"	1
160	51 351 03	Discharge connection      ISO G4A	1
160	51 351 04	Discharge connection NPT      NPT 4-8 4-8	1
161	410 197	Hexagon head screw M12X35-A2-70	4
162	132 274	Plain washer 12-A2-170	4
164	51 334 00	Gasket	1
165	410 030	Coupling part STORTZ ISO G4	1
170	51 899 00	Stand	1
800	51 898 00	O-ring kit	1
801	51 853 00	Zinc anode kit	1
900	51 922 01	Basic repair kit	1









Grindex  
Gesällvägen 33  
174 07 Sundbyberg  
Sweden  
Tel: +46-8-606 66 00  
Fax: +46-8-745 53 28  
[www.grindex.com](http://www.grindex.com)

Visit our Web site for the latest version of this document  
and more information

The original instruction is in English. All non-English  
instructions are translations of the original instruction.

© 2014 Grindex