

# Parts List

## 8121.211 Micro





---

# Table of Contents

<b>Introduction</b> .....	<b>2</b>
Specially approved products.....	2
<b>Product Description</b> .....	<b>3</b>
Products included.....	3
The data plate.....	3
<b>Exploded Views</b> .....	<b>4</b>
8121.211.....	4
<b>Spare Parts</b> .....	<b>5</b>
8121.211.....	5

# Introduction

## **Purpose of this manual**

The purpose of this manual is to provide necessary information on spare parts and accessories order.

## **Disclaimer**

Always use genuine Grindex parts. The use of other spare parts or accessories can invalidate any claims for warranty or compensation. Grindex does not take any responsibility for damages that are caused by the use of non-original parts. For more information, contact your local sales and service representative.

## **Data for ordering spare parts**

The following information is needed for spare part orders:

- Serial number of the product
- Part number
- Quantity of bulk material, see \* in tables

## **Specially approved products**

### **Qualification of personnel**

Only Grindex or Grindex-authorized service personnel may undertake repair work on Ex-approved products.

### **Dimensional accuracy inspection**

Spare parts marked with (Ex) after the part number are subject to dimensional accuracy inspection.

# Product Description

## Products included

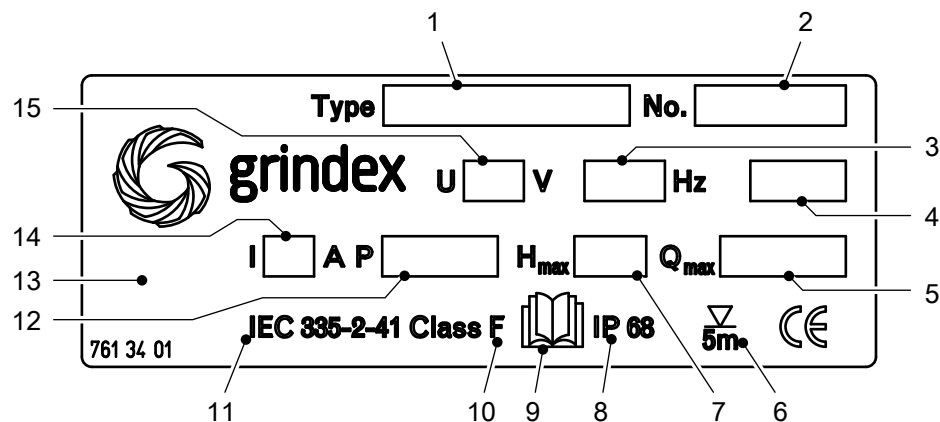
Pump model	Standard	EX	MSHA	Drainage	Sludge
Micro 8121.211	X			X	

## The data plate

### Introduction

The data plate is a metal label located on the main body of the pump. The data plate lists key product specifications.

### The data plate



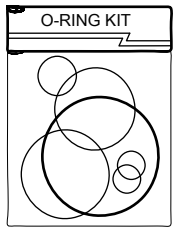
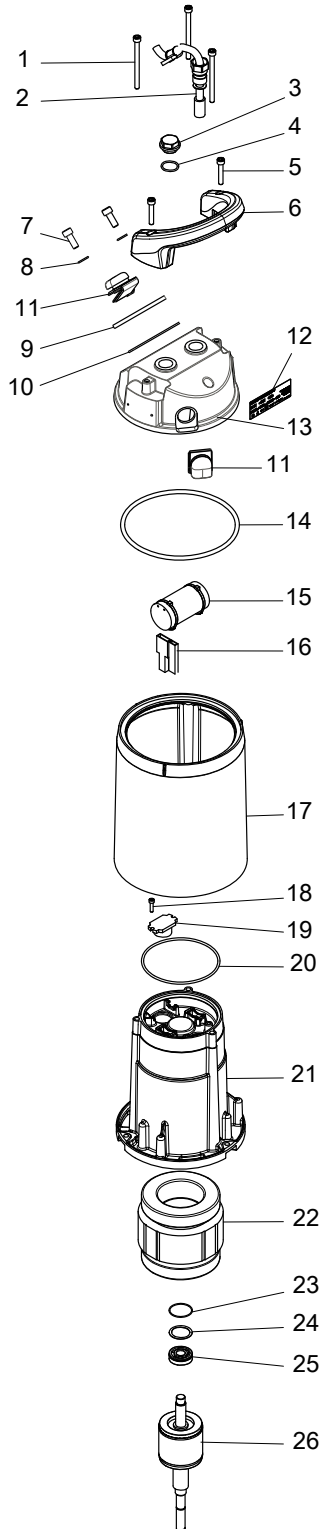
1. Pump model
2. Serial number
3. Phase; type of current; frequency
4. Product weight
5. Maximum capacity
6. Maximum submergence
7. Maximum head
8. Degree of protection
9. Read installation manual
10. Thermal class
11. International standard
12. Maximum power consumption
13. Country of origin
14. Rated current
15. Rated voltage

W5006202A

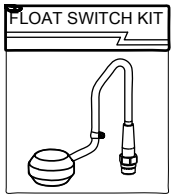
### Product approvals for hazardous locations

# Exploded Views

## 8121.211



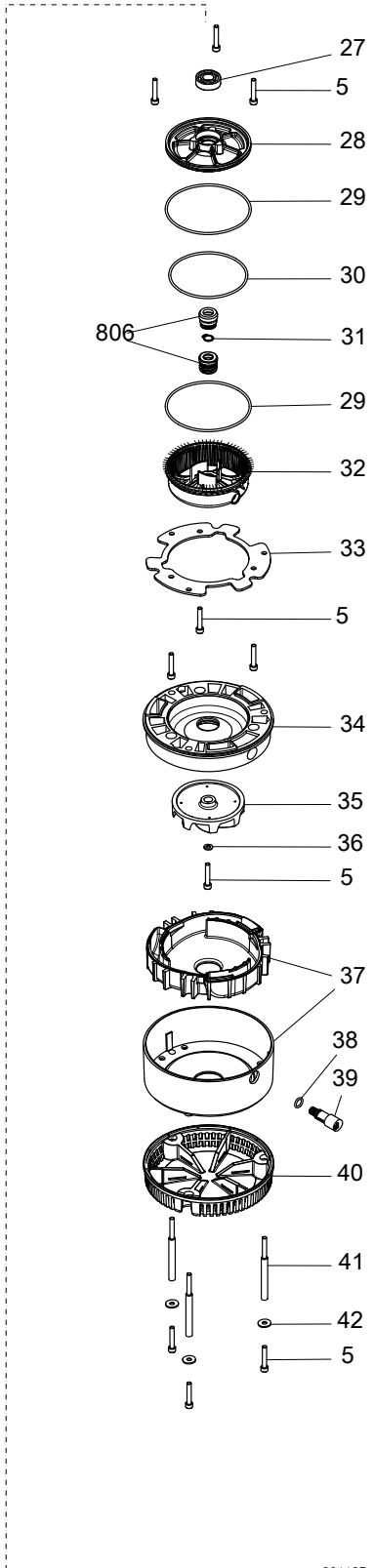
800



814



900



20112B\_expl\_view\_8121.211

# Spare Parts

## 8121.211

Pos. No	Part. No	Denomination	Qty/Version	
			211	
1	410 777	Hex.socket hd screw M6X80-A2-70	3	
2	51 649 00	Motor cable unit 532.1U +H07RN-F 3X1 MM2	1	
2	51 649 07	Motor cable unit H07RN-F 3x1	1	
2	51 649 01	Motor cable unit SOW-16AWG/3 115V USA CDN	1	
2	51 649 05	Motor cable unit SOW-16AWG/3 230V USA CDN	1	
2	51 649 04	Motor cable unit H07RN-F 3X1 MM2 110V GB	1	
2	51 649 02	Motor cable unit H07RN-F 3X1 MM2 230V GB	1	
2	51 649 03	Motor cable unit H07RN-F 3X1 MM2 230V AUS	1	
3	51 650 00	Plug	1	
4	410 778	O-ring 20.0X2.0 NBR	1	
5	410 757	Hex.socket hd screw M6X35-A2-70	12	
6	51 651 00	Handle	1	
7	50 021 00	Hex.socket hd screw M8X25-A2-70	2	
8	132 289	Plain washer 8-A2-170	1	
9	50 839 00	Discharge connection 2"	DN 50 Hose DN 50 Hose Thread : ISO G2A Outer Second outlet included	1
9	50 839 02	Discharge connection G2"	DN 50 Thread : ISO G2A Outer DN 50 Thread : ISO G2A Outer Quick coupling: Storz DN 50 Hose Thread : ISO G2A Outer Second outlet included	1
9	50 839 01	Discharge connection NPSM 2"	DN 50 Thread : NPSM 2-11 1/2 Outer	1
9	410 027	Coupling part	DN 50 Thread : ISO G2A Outer Quick coupling: Storz	1
10	50 037 52	O-ring 52.5X3.0 NBR		1

Pos. No	Part. No	Denomination	Qty/Version
			211
12	51 652 00	Data plate	1
13	51 653 00	Cover unit	1
13,1	50 836 03	Air release valve	1
13,2	-	Cover	1
14	130 944	O-ring 149.3X5.7 NBR	1
15	50 893 02	Capacitor 30 MFD 275V	1
15	50 893 01	Capacitor 14 MFD 450V	1
15	50 893 00	Capacitor 12 MFD 450V	1
16	410 780	Terminal device 48X12X6 MAX.380V 18A	1
16	410 781	Terminal device 54X21X8.5 MAX.380V 18A	1
17	51 655 00	Cooling jacket	1
18	410 008	Hex.socket hd screw M4X16-A2-70	1
19	50 844 00	Motor switch 115V 50HZ	1
19	50 844 01	Motor switch 230V 50HZ	1
19	50 844 02	Motor switch 115V 60HZ	1
19	50 844 03	Motor switch 230V 60HZ	1
20	132 017	O-ring 99.5X3.0 NBR	1
21	51 654 00	Stator housing	1
22	51 661 01	Stator 12-05-2b	1-phase 50 Hz 2-poles 115V P2=0,42kW 1-phase 60 Hz 2-poles 115V P2=0,45kW/0,60hp
22	51 661 02	Stator 12-05-2b	1-phase 50 Hz 2-poles 230V-240V P2=0,42kW 1-phase 60 Hz 2-poles 220V-230V P2=0,45kW/ 0,60hp
23	50 452 00	Spring washer 31.5X25X0.35	1
24	50 037 35	O-ring 26.0X1.2 NBR	1
25	50 287 02	Ball bearing 12X32X10	1
26	51 656 00	Shaft unit	1
27	50 287 01	Ball bearing 15X35X11	1
28	51 657 00	Bearing housing	1
29	50 037 38	O-ring 114.5X3.0 NBR	2
30	50 037 02	O-ring 104.5X3.0 NBR	1
31	50 453 00	Retaining ring	1
32	50 443 00	Oil housing	1
33	51 658 00	Washer	1



Pos. No	Part. No	Denomination	Qty/Version
			211
34	50 447 00	Wear protection	1
35	51 659 10	Torque flow impeller N 50 Hz	1
35	51 659 11	Torque flow impeller N 60 Hz	1
36	50 020 05	Plain washer	1
37	50 896 00	Diffuser unit	1
38	50 037 34	O-ring 10.3X2.4 NBR	1
39	50 445 00	Inspection screw	1
40	50 440 00	Strainer	1
41	51 660 00	Barrel nut	3
42	50 020 06	Plain washer 9021-6,4X18X1,6	3
800	51 663 00	O-ring kit	1
806	50 965 00	Seal kit	1
807	50 966 00	Outer seal kit	1
814	51 665 00	Level regulator kit	1
814	51 665 01	Level regulator kit	1
900	51 664 00	Basic repair kit	1
900,1	50 452 00	Spring washer 31.5X25X0.35	1
900,2	50 037 35	O-ring 26.0X1.2 NBR	1
900,3	50 287 01	Ball bearing 15X35X11	1
900,4	50 287 02	Ball bearing 12X32X10	1







Grindex  
Gesällvägen 33  
174 07 Sundbyberg  
Sweden  
Tel: +46-8-606 66 00  
Fax: +46-8-745 53 28  
[www.grindex.com](http://www.grindex.com)

Visit our Web site for the latest version of this document  
and more information

The original instruction is in English. All non-English  
instructions are translations of the original instruction.

© 2014 Grindex