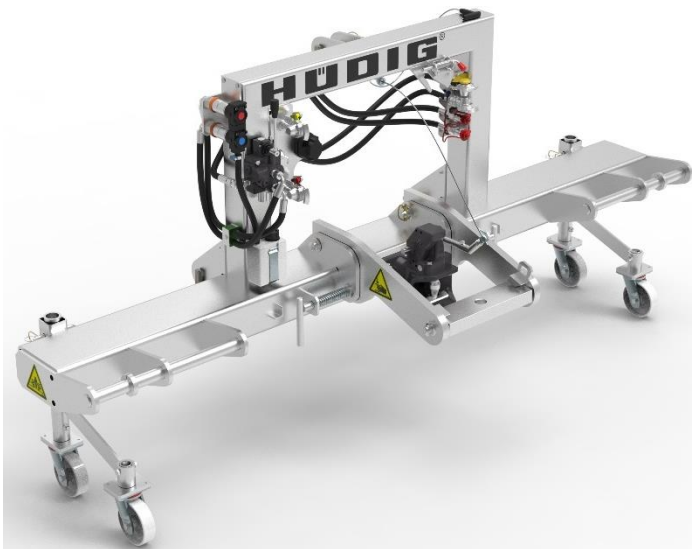


Technical Data

Three-point pull-out device



	Parameter	Unit	Value
Dimensions	Length	mm	765
	Width	mm	2.365
	Height	mm	725
	Net weight	kg	190
	Max. load	kg	1.800
	Three-point mounting	-	Category 2

Application

in agriculture - landscaping – industry

- Agricultural irrigation
- Dust binding irrigation in opencast mining
- Fruit and vegetable growing

Standard Features

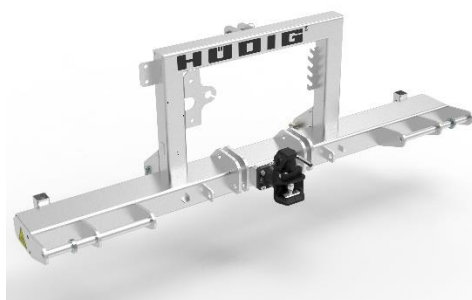
- Sturdy rectangular tube construction for convenient transport of the irrigation machine and for extending the PE pipe in the lane up to a track width of 2,250 mm
- Can be used up to a maximum PE pipe size of Ø125 mm / 700 m (when pulling out)
- Automatic pull jaw with a bolt diameter of Ø 38 mm
- Category 2 three-point linkage for attachment to the rear hydraulics of the tractor
- Fully galvanised design for optimum corrosion resistance even in harsh applications

Special Features

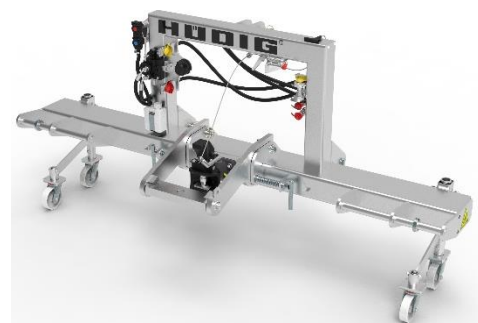
- Hydraulic unit, consisting of a 7-pin socket for connecting the road traffic lighting and a pressurised double-acting 'Faster' hydraulic connection including control valve (no need to get back on the tractor to activate the control unit)
- Forwarding the compressed air connections of an air brake system
- Remote unlocking of the towing jaw using a cable pull from the tractor cab
- Swivelling field rail for quickly moving the machine in the field and for transporting irrigation systems with a pure field rail hitch
- Support feet for easy parking of the towing device
- Transport castors for convenient mounting and dismantling of the three-point pull-out device
- Flange ball coupling K80 instead of a drawbar coupling

Function

HÜDIG has set standards in the development of irrigation machines. For over 100 years now, experience from agricultural irrigation has been utilised for the development and improvement of our products. The three-point pull-out device can be used to simplify and optimise the irrigation process. With this pulling device, which is designed exclusively for the transport of an irrigation machine, the systems can be conveniently transported with the drawbar. An optional swivelling tractor rail is available for machines with a pure tractor rail hitch. All the tractor's essential supply connections (hydraulics, electrics, compressed air) can be found at the rear of this towing device at a comfortable working height. The particularly stable rectangular tube design of this pull-out device also enables the PE pipe to be pulled out in the lane up to a track width of 2,250 mm with a maximum PE pipe size of Ø 125 mm / 700 m.

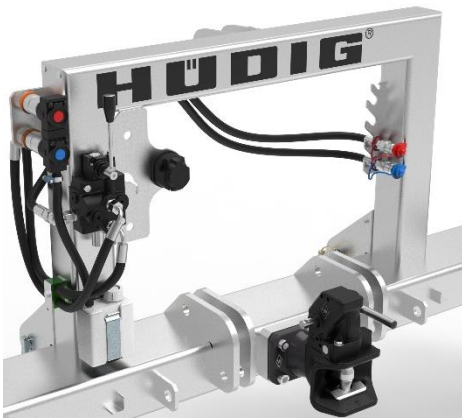


Pull-out device in basic configuration



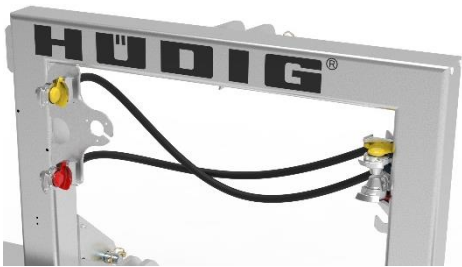
Fully equipped pull-out unit

Features



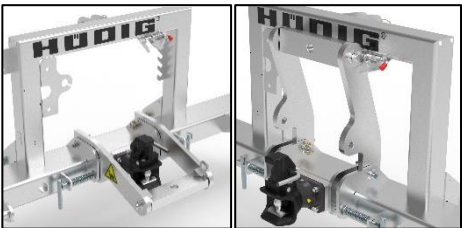
Hydraulic Connection

With the 'Hydraulic connection' option package, both a double-acting control valve and a 7-pin vehicle socket directly on the towing device can be accessed. The hydraulic circuit is powered from the tractor and is in unpressurised circulation. A control valve can then be used to pressurise the hydraulic connection of the irrigation machine. The 'Faster' plug-in connections fitted as standard enable coupling even under pressure. Any leaking oil is collected in a separate oil tank.



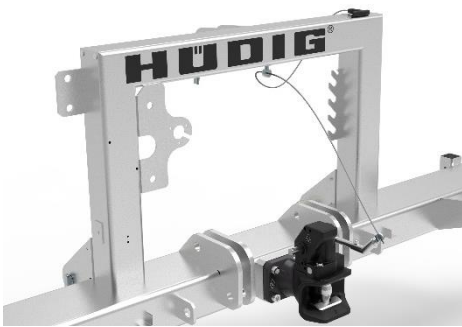
Compressed Air Connections

For safe road transport, the compressed air connections are routed from the tractor to the pull-out device. The brake and supply lines of the irrigation machine can be connected here in an easily accessible position.



Swivelling Tractor Track

A swivelling tractor rail can be used to quickly move the sprinkler system on the field. This additional equipment can also be used to operate machines without a drawbar hitch. If the tractor rail is swivelled upwards into the parking position, the drawbar can be selected as the means of transport for the road.



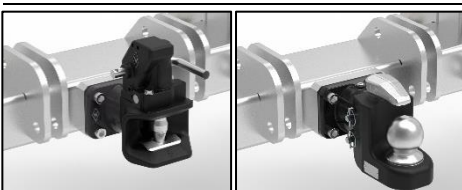
Remote Release of Pull Jaw

If the automatic drawbar cannot be opened when uncoupling the irrigation machine due to tension, this can be done directly from the driver's seat after releasing the tension using the remote release.



Transport Rollers

Steerable transport rollers are available for easy mounting and dismounting on the tractor. These can be easily removed after mounting so that the ground clearance is not reduced when driving through crops. A version with feet is also available instead of these transport rollers.



Ball Coupling

The pull-out device can also be optionally equipped with a K80 flanged ball coupling. A flanged jaw with a bolt diameter of 38 mm is fitted as standard.